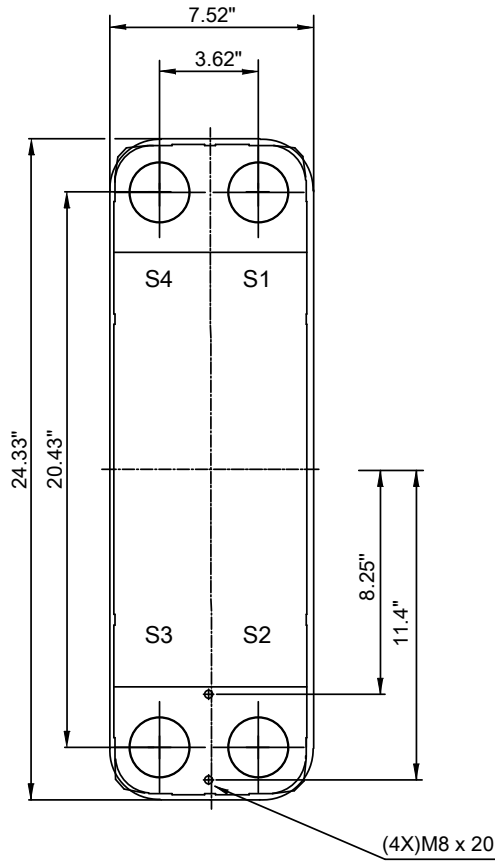
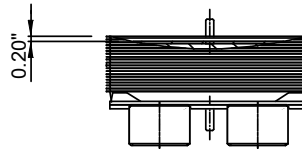
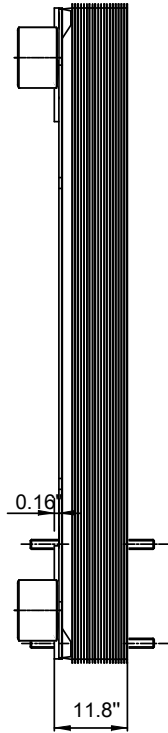
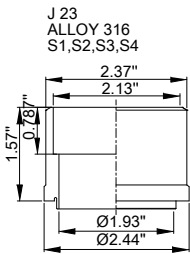


Note that all unique customer requirements (i.e tolerance) need to be verified thru Alfa Laval.



T1 T2 T3 T4 locations on back side correspond to S1 S2 S3 S4 on front side

HEATING SURFACE null ft<sup>2</sup>  
 NETWEIGHT 125.3 lb  
 OPERATING WEIGHT Error lb  
 PLATE MATERIAL ALLOY 316  
 PLATE GROUPING 1\*49H/1\*50H

ALL DIMENSIONS IN INCHES

SIDE	MEDIA	INLET	TEMP.	OUTLET	TEMP.	FLOW RATE	PRESSURE DROP	LIQUID VOL.
1	Water	S1	33.8 °F	S2	32.0 °F	0 lb/h	null psi	0.44 ft <sup>3</sup>
2	Water	S3	30.2 °F	S4	32.0 °F	0 lb/h	null psi	0.43 ft <sup>3</sup>

PRESSURE VESSEL APPROVAL

UL/CRN

AlfaNova HP 76-100H (3287000923)

[www.alfalaval.com](http://www.alfalaval.com)

CUSTOMER NAME / REF. NO.

TOTAL LENGTH 13.2 in  
 TOTAL WIDTH 7.5 in  
 TOTAL HEIGHT 24.3 in

COMPANY / REF.  
 Alfa Laval Nordic AB

7/7/2017  
 REV 0